

# The new RAGNO generation

## RAGNO TZX 225

articulated and  
telescopic alu.  
booms

weight 2500 kg

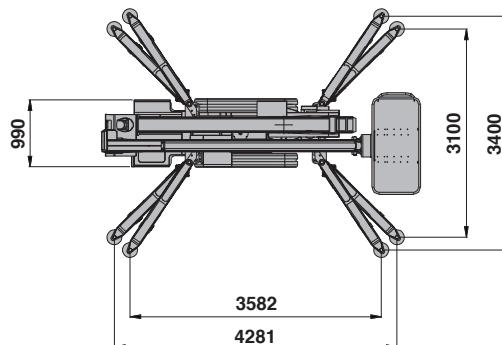
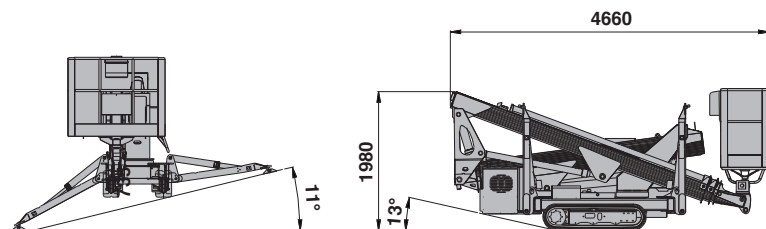
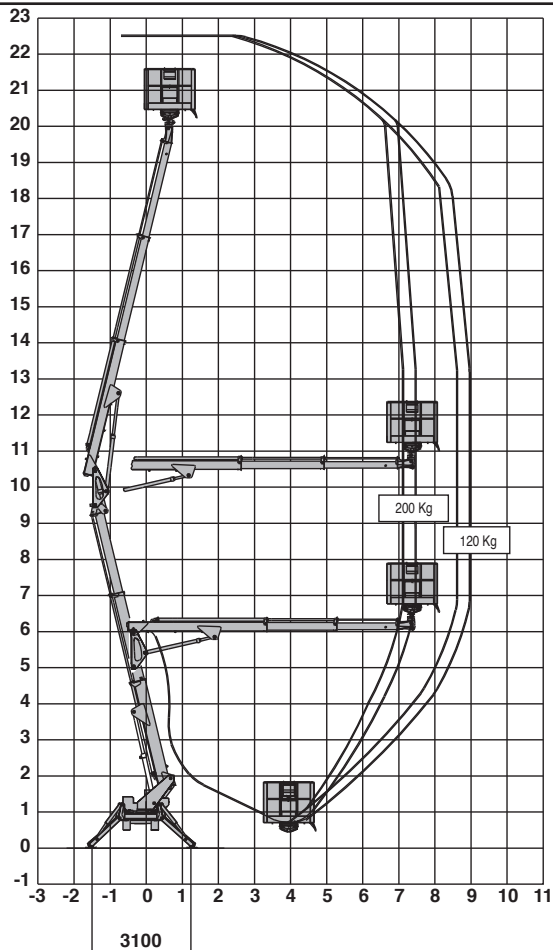
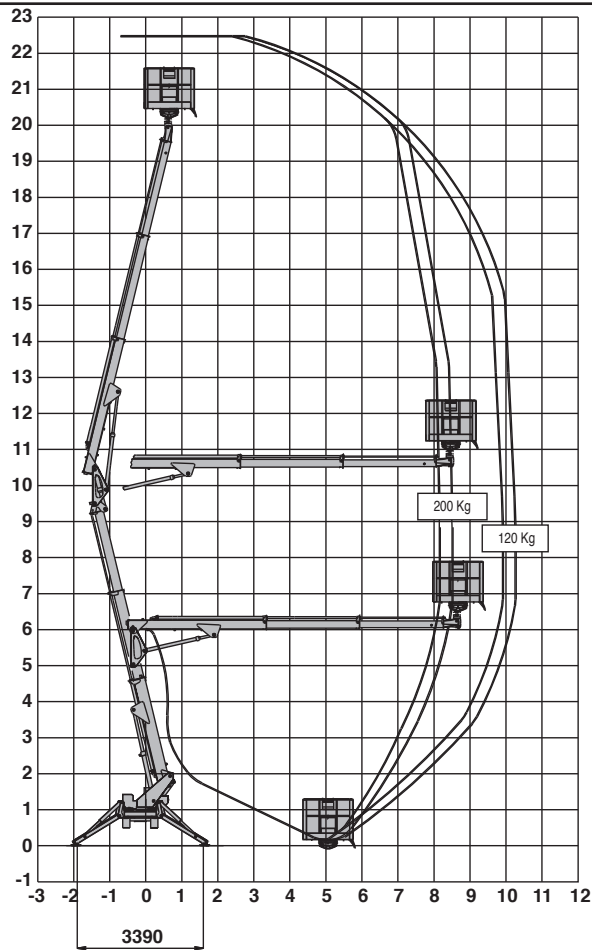
22.5 m max w.h.

120-200 kg s.w.l.

variable set-up  
with automatic  
self-levelling



# RAGNO TZX 225



MOTORE DIESEL	DIESEL ENGINE	DIESEL MOTOR	MOTEUR DIESEL	10,9 KW
MOTORE ELETTRICO	ELECTRIC MOTOR	ELEKTROMOTOR	MOTEUR ELECTRIQUE	230 VAC - 2,2 KV
PENDENZA MAX	MAX SLOPE	MAX STEIGFAHIGKEIT	PENTE MAXI	25%
VELOCITA' MAX	MAX SPEED	MAX GESCHWINDIGKEIT	VITESSE MAXI	1,4 KM/H
ROTAZIONE TORRETTA	TURNTABLE SLEWING	DREHTURM ROTATION	ROTATION TOURELLE	360°
NAVICELLA AEREA	AERIAL CAGE	ARBEITKORB	NACELLE	140 X 70
ROTAZIONE NAVICELLA	CAGE ROTATION	KORB ROTATION	ORIENTATION NACELLE	90° + 90°
PORTATA UTILE	SAFE WORK. LOAD	ZULADUNG	CHARGE UTILE	120-200 KG
PESO	WEIGHT	GEWICHT	POIDS	2.500 KG

**Palazzani**  
INDUSTRIE SPA

25050 Paderno F.C. (BS) - Italy  
Tel ++ 39 030 6857073 - Fax ++ 39 030 657079  
platforms@palazzani.it - www.palazzani.it

COMPANY WITH QUALITY MANAGEMENT  
SYSTEM CERTIFIED BY DNV  
= ISO 9001:2008 =

R122A